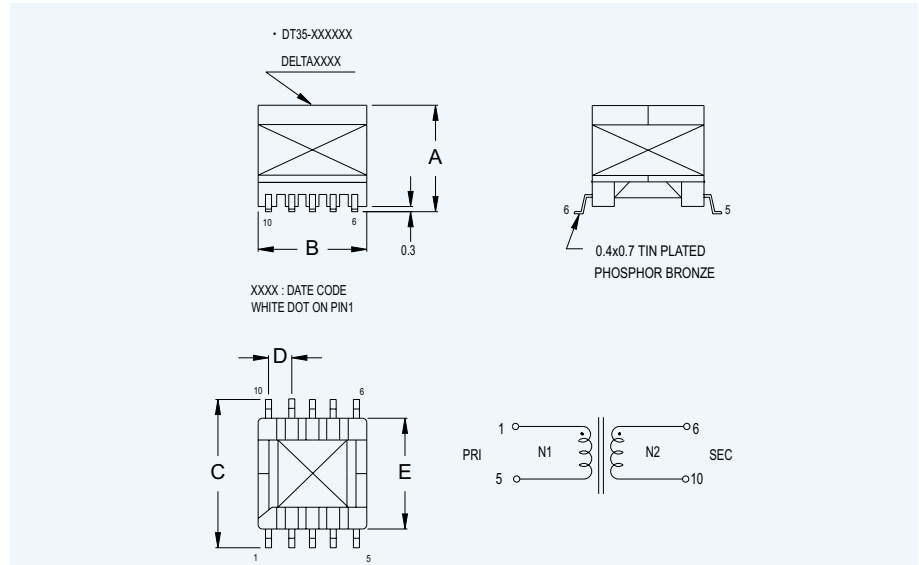




Telecommunication COMMON MODE CHOKE Transformers

DT35-2004AS
DT35-2005AS
DT35-2008AS



DIMENSIONS IN mm

A	B	C	D	E	F	G
12.5 MAX.	13.5 MAX.	17.10±0.2	2.54±0.2	14.0 MAX.		

ELECTRICAL CHARACTERISTICS			
	DT35-2004AS	DT35-2005AS	DT35-2008AS
T.R	(N1:N2): 1:1±5% @10KHz 0.1V	(N1:N2): 1:1±5% @10KHz 0.1V	(N1:N2): 1:1±5% @10KHz 0.1V
L	PRI: 3.0mH ±5% @10KHz 0.1V 100mA	PRI: 6.0mH ±5% @10KHz 0.1V	PRI: 9.0mH ±10% @10KHz 0.1V 60mA
L.K	-----	-----	-----
C	-----	-----	-----
D.C.R	N1: 2.5Ω Max. N2: 2.5Ω Max.	N1: 4.0Ω Max. N2: 4.0Ω Max.	N1: 5.0Ω Max. N2: 5.0Ω Max.
HI-POT	1500 VAC 2 SEC	1500 VAC 2 SEC	1250 VAC 1 SEC
SCHEMATIC	1	1	1

DELTA ELECTRONICS, INC.

(TAOYUAN PLANT CPBG) 31-1, SHIEN PAN ROAD, KUEI SAN INDUSTRIAL ZONE, TAOYUAN SHIEN, TAIWAN, R.O.C.

TEL: 886-3-3626301 FAX: 886-3-3618901
http://www.deltaww.com